



SONODEC 50

ACOUSTICALLY AND THERMAL INSULATED DUCTING

The **SONODEC 50** consists of a perforated aluminum laminate inner duct thermally and acoustically insulated with glass wool and is provided with an aluminium laminated outer jacket.

An anti-migration barrier between the duct and the insulation wool adds strength and prevents the diffusion of insulation particles, as well as the following functions: improves acoustical performance, avoids cold bridges, leakage, pressure loss, protecting the R-value to be effected by humidity influences and avoid grow of fungus in the insulation wool.

APPLICATION

- Air-conditioning systems
- Air supply systems
- Preventing condensation in air ventilation systems
- Decreasing of machine noises


SPECIFICATIONS

Article code:	DS50{Ø}
Temperature range:	-30 °C to 140 °C
Operating pressure:	up to +2500 Pa
Operating air velocity:	max. 30 m/s
Min. bending radius:	0.54 x Ø + 50mm
Standard diameter range:	82 – 508 mm
Standard length:	7.5 mtr

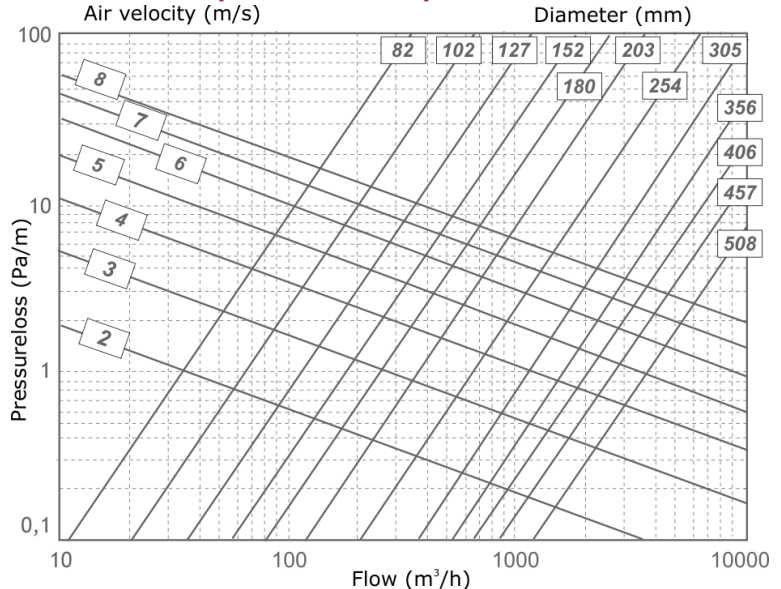
CONSTRUCTION

Inner duct:	alu/poly laminate
Barrier	closed film
Glass wool blanket:	50mm, 16kg/m ³
Outer jacket:	alu/poly laminate
R-value glass wool:	1.3 m ² K/W (ASTM C177-76)
Appearance:	aluminium

CLASSIFICATIONS

UK (BS476):	Part 6, 7 and 20
FR (NF):	M1
Marine certified MED	

PRESSURE LOSS (STRAIGHT DUCT)



Regulation or protocol

French VOC Regulation

Conclusion



Version of regulation or protocol

Regulation of March and May 2011
(DEVL1101903D and DEVL1104875A)

The **SONODEC 50** fulfills all the requirements and are classified as specified within EN 13180:
Ventilation for buildings – Ductwork - Dimensions and mechanical requirements for flexible ducts.

The **SONODEC 50** is also available, as **SONODEC 25** with a 25 mm glass wool layer, the article number is: DS{Ø}
R-value glass wool: 0.65 (25 mm) m² K/W (ASTM C177-76). Min. bending radius: 0.54 x Ø + 25mm

Reach/RoHs Compliant

Directive 2011/65/EU RoHS
Phthalates according to 1907/2006/EC REACH
Test result: Pass - The test items meets the requirements of the test specification



LIABILITY:

The information contained in this brochure was current on the publication date. DEC INTERNATIONAL reserves the right to make changes in details at any time without prior notice. In order to avoid misunderstandings, any interested party is advised to contact DEC INTERNATIONAL checking for any changes in materials and/or information after this brochure was published.

PLEASE NOTICE:

The consultant is responsible for the actual installation and mounting of the product. The mentioned values with respect to temperatures are not appropriate to be used to determine the physical properties. These properties are also dependent on humidity and the temperature of the air inside and outside of the H.V.A.C. system.

TRADEMARKS:

SONODEC, the DEC logo and DEC International are trademarks, or registered trademarks of Dutch Environment Corporation BV in the Netherlands and/or other countries.

RESTRICTIONS:

The SONODEC ducts are not suitable for discharging combustion products from open fireplaces and oil-fired boilers. Neither are the SONODEC ducts suitable for transporting air with a high concentration of acid and base.



SONODEC 50

ACOUSTICALLY AND THERMAL INSULATED DUCTING

SOUND ATTENUATION
According to: **ISO 7235**

SONODEC 50		(Test report nr. AB323-4 Peutz bv - The Netherlands)					
D ₁ (mm)	L (mtr)	Attenuation, dB - Mid-frequency, Hz					
		125	250	500	1000	2000	4000
82	1	14	19	34	40	27	18
	2	19	31	42	59	45	30
	3	23	39	50	61	63	41
102	1	7	18	31	43	28	20
	2	11	32	49	61	45	27
	3	13	35	55	62	51	33
127	1	7	15	22	32	26	18
	2	14	27	47	56	40	28
	3	17	32	54	59	54	34
160	1	12	20	23	28	18	11
	2	22	36	43	50	29	20
	3	32	45	47	55	43	28
203	1	4	9	14	20	14	13
	2	13	22	35	43	30	24
	3	15	34	47	50	41	34
254	1	14	14	16	15	11	10
	2	26	28	30	31	18	14
	3	36	36	35	44	25	23
315	1	15	13	15	16	9	7
	2	27	26	28	32	15	13
	3	31	32	30	37	20	17
457	1	9	9	10	9	5	7
	2	20	19	21	17	11	13
	3	24	23	27	24	16	17
508	1	7	8	9	8	5	7
	2	19	17	20	15	9	10
	3	23	24	28	21	14	14

LIABILITY:

The information contained in this brochure was current on the publication date. DEC INTERNATIONAL reserves the right to make changes in details at any time without prior notice. In order to avoid misunderstandings, any interested party is advised to contact DEC INTERNATIONAL checking for any changes in materials and/or information after this brochure was published.

PLEASE NOTICE:

The consultant is responsible for the actual installation and mounting of the product. The mentioned values with respect to temperatures are not appropriate to be used to determine the physical properties. These properties are also dependent on humidity and the temperature of the air inside and outside of the H.V.A.C. system.

TRADEMARKS:

SONODEC, the DEC logo and DEC International are trademarks, or registered trademarks of Dutch Environment Corporation BV in the Netherlands and/or other countries.

RESTRICTIONS:

The SONODEC ducts are not suitable for discharging combustion products from open fireplaces and oil-fired boilers. Neither are the SONODEC ducts suitable for transporting air with a high concentration of acid and base.

