

# SONODEC 250 + COMBIDEC 2100

ACOUSTICALLY AND THERMAL INSULATED DUCTING

The **SONODEC 250/COMBIDEC 2100** series consists of a perforated aluminum laminate inner duct thermally and acoustically insulated with glass wool and provided with an aluminium laminated outer jacket and covered with a Combidec 2100 outer duct.

## APPLICATION

- Air-conditioning systems
- Air supply systems
- Preventing condensation in air ventilation systems
- Decreasing of machine noises

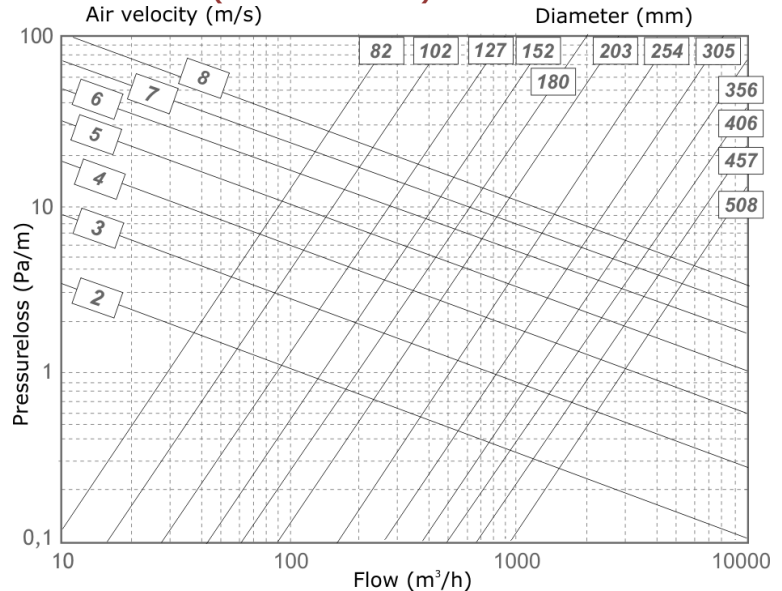
## SPECIFICATIONS

Article code: DSXC1G/B{Ø}  
 Temperature range:  
     Inner duct: -30 °C to 250 °C  
     Outer duct: -30 °C to 140 °C  
 Operating pressure: up to +3000 Pa  
 Operating air velocity: max. 30 m/s  
 Min. bending radius: 0.54 x Ø + 25mm  
 Standard diameter range: 82 – 254 mm  
     Bigger diameters in  
     50mm insulation  
 Standard length: 6 mtr

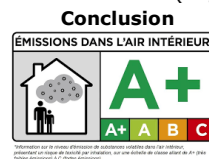
## CONSTRUCTION

Inner duct: Alu/poly laminate  
 Barrier: closed film  
 Glass wool blanket: 25mm, 16kg/m³  
 Jacket: Alu/poly laminate  
 Outer duct: Alu/poly/pvc laminate  
 R-value glass wool: 0.65 m² K/W  
     (ASTM C177-76)  
 Appearance: Grey or Black

## PRESSURE LOSS (STRAIGHT DUCT)



**Regulation or protocol**  
French VOC Regulation



**Version of regulation or protocol**  
Regulation of March and May 2011  
(DEVL1101903D and DEVL1104875A)

The **SONODEC 250/COMBIDEC 2100** fulfills all the requirements and are classified as specified within EN 13180: *Ventilation for buildings – Ductwork - Dimensions and mechanical requirements for flexible ducts.*

The **SONODEC 250/COMBIDEC 2100** is also available, on request, with a 50 mm glass wool layer, the article number is: DSX50C1G{Ø}. R-value glass wool: 1.3 (50 mm) m² K/W (ASTM C177-76). Diameter range: 082mm upto 508mm

## Reach/RoHs Compliant

Directive 2011/65/EU RoHS  
 Phthalates according to 1907/2006/EC REACH  
 Test result: Pass - The test items meets the requirements of the test specification



## LIABILITY:

The information contained in this brochure was current on the publication date. DEC INTERNATIONAL reserves the right to make changes in details at any time without prior notice. In order to avoid misunderstandings, any interested party is advised to contact DEC INTERNATIONAL checking for any changes in materials and/or information after this brochure was published.

## PLEASE NOTICE:

The consultant is responsible for the actual installation and mounting of the product. The mentioned values with respect to temperatures are not appropriate to be used to determine the physical properties. These properties are also dependent on humidity and the temperature of the air inside and outside of the H.V.A.C. system.

## TRADEMARKS:

SONODEC, the DEC logo and DEC International are trademarks, or registered trademarks of Dutch Environment Corporation BV in the Netherlands and/or other countries.

## RESTRICTIONS:

The SONODEC ducts are not suitable for discharging combustion products from open fireplaces and oil-fired boilers. Neither are the SONODEC ducts suitable for transporting air with a high concentration of acid and base.





# SONODEC 250 + COMBIDEC 2100

ACOUSTICALLY AND THERMAL INSULATED DUCTING

**SOUND ATTENUATION**  
According to: **ISO 7235**

<b>SONODEC 250/ COMBIDEC 2100</b>		(Test report nr. AB323-3 Peutz bv - The Netherlands)					
Dn (mm)	L (mtr)	Attenuation, dB - Mid-frequency, Hz					
		125	250	500	1000	2000	4000
82	1	11	12	22	33	37	20
	2	15	19	32	65	60	33
102	1	3	8	20	35	26	15
	2	5	13	32	67	42	23
127	1	4	8	17	29	23	17
	2	6	14	30	58	39	25
160	1	6	11	18	34	20	11
	2	10	18	34	59	27	18
203	1	1	4	10	20	8	8
	2	4	10	23	44	19	16
254	1	3	7	13	17	8	10
	2	5	11	23	35	14	14
315	1	4	6	12	16	7	8
	2	5	11	21	27	12	13
457	1	3	4	6	5	4	7
	2	9	11	14	10	9	10
508	1	2	5	10	7	5	6
	2	6	9	18	12	9	10

**LIABILITY:**

The information contained in this brochure was current on the publication date. DEC INTERNATIONAL reserves the right to make changes in details at any time without prior notice. In order to avoid misunderstandings, any interested party is advised to contact DEC INTERNATIONAL checking for any changes in materials and/or information after this brochure was published.

**PLEASE NOTICE:**

The consultant is responsible for the actual installation and mounting of the product. The mentioned values with respect to temperatures are not appropriate to be used to determine the physical properties. These properties are also dependent on humidity and the temperature of the air inside and outside of the H.V.A.C. system.

**TRADEMARKS:**

SONODEC, the DEC logo and DEC International are trademarks, or registered trademarks of Dutch Environment Corporation BV in the Netherlands and/or other countries.

**RESTRICTIONS:**

The SONODEC ducts are not suitable for discharging combustion products from open fireplaces and oil-fired boilers. Neither are the SONODEC ducts suitable for transporting air with a high concentration of acid and base.

