



i-VALVE® RONDO

ROUND SUPPLY VALVE

AIR MANAGEMENT SYSTEMS

PRODUCT PROPERTIES

The **i-valve Rondo** is a supply valve with an attractive design. The valve is easy to mount on a ventilation duct by means of clamping springs. With the **i-valve Rondo**, the air volume can be easily adjusted by turning the valve shell, making it suitable for a wide range of applications. The **i-valve Rondo** has a low sound and pressure loss level at all setting positions.

Accessories

In addition, a removable insert can be added or taken out for ceiling or wall mounting ensures that the air will always be blown in the set direction. The blown-in air is directed by the adjustment of the wall or wall corners, this to avoid pollution and/or to avoid air turbulence.

The valve is made of high-quality UV and anti-static white (RAL 9002) polypropylene and available in diameters Ø080-100-125-160-200mm.

Advantages of the i-valve Rondo

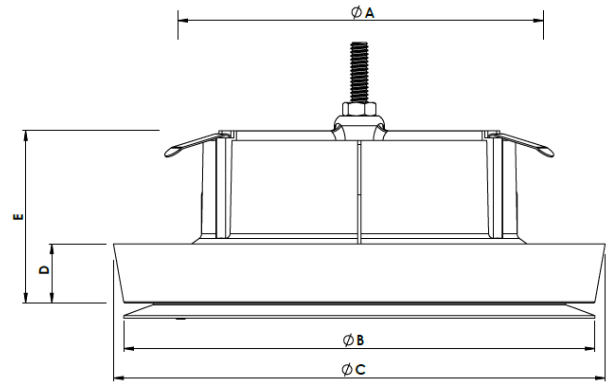
- Innovative flow behavior due to the design of the adjustment scale
- Minimal resistance, minimal noise
- High-quality polypropylene
- UV resistant
- Antistatic
- Easy to clean
- Removable insert for adjusting air flow
- Various great uniform appearance

PACKAGING & ARTICLE CODE

Individually packed in box.

Article code: RONDO-Ø-R9002

Accessorie: Removable insert for adjusting air flow



DIMENSIONS

ØA	ØB	ØC	D	E
mm	mm	mm	mm	mm
080	115	122	20	53
100	135	142	20	58
125	160	167	20	58
160	195	202	20	69
200	235	242	20	79



LIABILITY:

The information contained in this brochure was current on the publication date. DEC INTERNATIONAL reserves the right to make changes in details at any time without prior notice. In order to avoid misunderstandings, any interested party is advised to contact DEC INTERNATIONAL checking for any changes in materials and/or information after this brochure was published.

PLEASE NOTICE:

The consultant is responsible for the actual installation and mounting of the product. The mentioned values with respect to temperatures are not appropriate to be used to determine the physical properties. These properties are also dependent on humidity and the temperature of the air inside and outside of the H.V.A.C. system.

TRADEMARKS:

DEC International and the DEC logo are trademarks, or registered trademarks of Dutch Environment Corporation BV in the Netherlands and/or other countries.





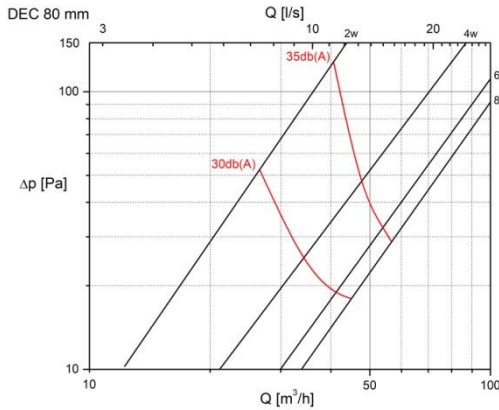
i-VALVE® RONDO

ROUND SUPPLY VALVE

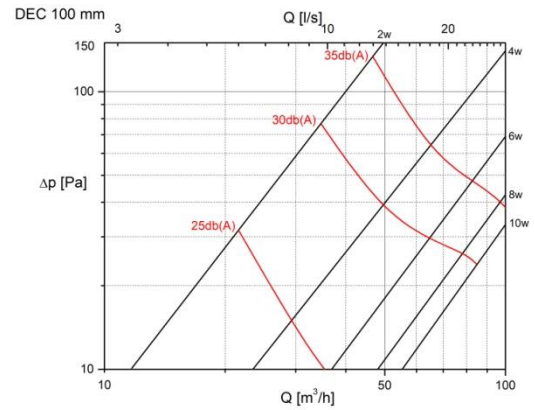
AIR MANAGEMENT SYSTEMS

The graphics are without insert

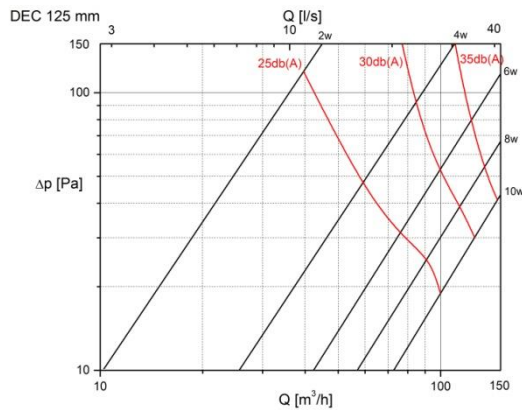
SUPPLY 080 mm



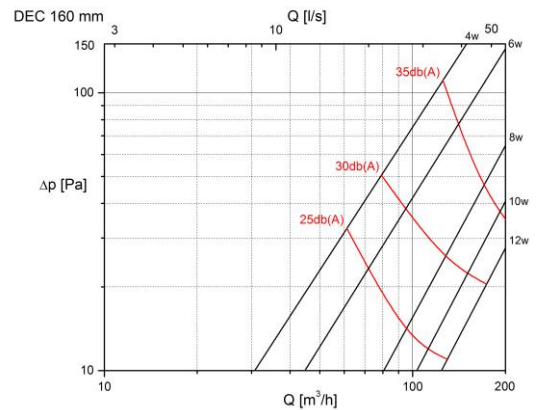
SUPPLY 100 mm



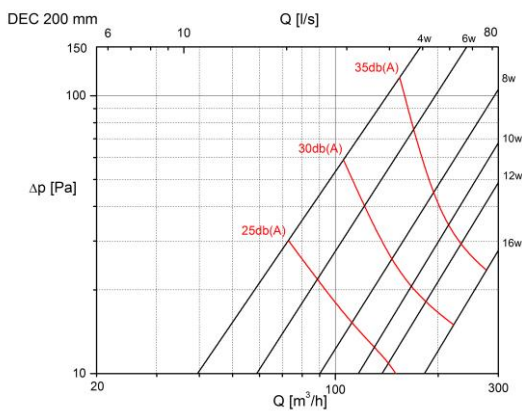
SUPPLY 125mm



SUPPLY 160mm



SUPPLY 200mm



DEFINITIONS

Q	air volume	(l/s)+(m³/h)
Δp	total pressure drop	(Pa)
L _{p10A}	sound pressure level with 4 dB room attenuation (10 m ² sab)	[dB(A)]

LIABILITY:

The information contained in this brochure was current on the publication date. DEC INTERNATIONAL reserves the right to make changes in details at any time without prior notice. In order to avoid misunderstandings, any interested party is advised to contact DEC INTERNATIONAL checking for any changes in materials and/or information after this brochure was published.

PLEASE NOTICE:

The consultant is responsible for the actual installation and mounting of the product. The mentioned values with respect to temperatures are not appropriate to be used to determine the physical properties. These properties are also dependent on humidity and the temperature of the air inside and outside of the H.V.A.C. system.

TRADEMARKS:

DEC International and the DEC logo are trademarks, or registered trademarks of Dutch Environment Corporation BV in the Netherlands and/or other countries.

