



QUADRODEC GALVANIZED

SEMI FLEXIBLE CORRUGATED DUCTING

QUADRODEC GALVANIZED is a superb flexible duct constructed of one layer of corrugated galvanized steel 80 Microns. By the inter lockseam a high airtightness and flexibility is reached. 100% recyclable.

APPLICATION

- Suitable for mechanical air supply systems and air conditioning systems.
- Systems, where vapors should be exhausted
- Above mentioned systems, where a special mechanical strength is required

SPECIFICATIONS

Article code: DSDXR(80){*X*}
 Temperature range: -30°C to 375°C
 Operating pressure: up to +3000 Pa
 Operating air velocity: max. 30 m/s
 Bending radius: min. 1 x \varnothing

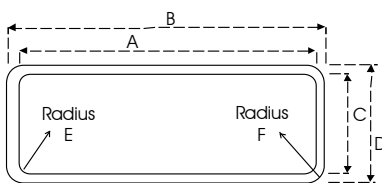
Standard length: 3 mtr

CLASSIFICATIONS

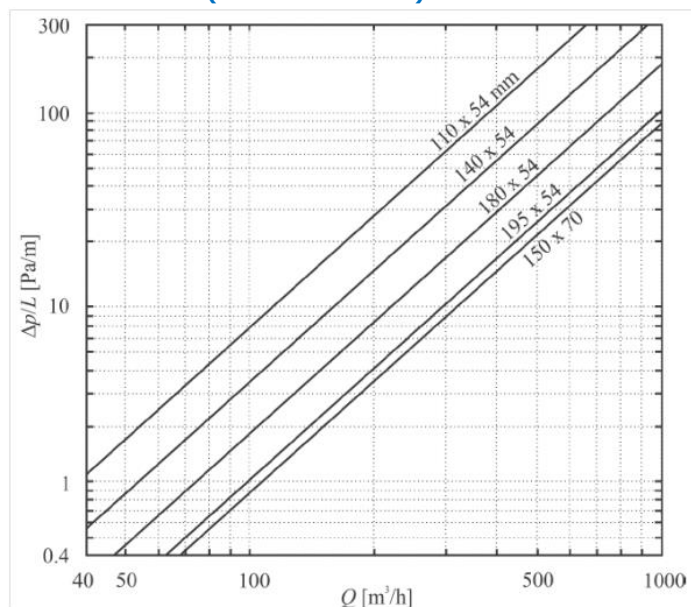
EU (EN 13501-1): A1

Dimensions in mm

Nominal	A	B	C	D	E	F
110x54	118	124	54	60	9	12
140x54	148	154	54	60	9	12
180x54	188	194	54	60	9	12
195x54	203	209	54	60	9	12
200x80	200	206	80	86	9	12
235x80	235	241	80	86	9	12



PRESSURE LOSS (STRAIGHT DUCT)



The pressure drop in the straight sections of semi-flexible ducts made of galvanized steel

Based on the conditions during testing the density of air is calculated and determined as standard condition ($\rho = 1,2 \text{ kg/m}^3$). If conditions differ from these standard conditions, it is necessary to make corrections in that way that the value of unit pressure drop obtained from graph is multiplied by a factor $\rho/1.2$. Unit pressure drop for the straight section of semi-flexible ducts with a rectangular cross-section made of galvanized steel for the conditions of gauge pressure

HOW TO INSTALL

The **QUADRODEC Galvanized** ducts can easily be cut with a metal saw, a sharp blade or scissors. The bending is done by hand. Connecting a SEMIDEC Galvanized duct can be done by simple fitting to an apparatus. Sealing is achieved with a PSB tape sealing and QIP Clamp. The fixing is conducted by a clamp placed on the tape adhesive. The assembly of two lengths requires the use of a male fitting of Galvanized steel or aluminium.

LIABILITY:

The information contained in this brochure was current on the publication date. DEC INTERNATIONAL reserves the right to make changes in details at any time without prior notice. In order to avoid misunderstandings, any interested party is advised to contact DEC INTERNATIONAL checking for any changes in materials and/or information after this brochure was published.

PLEASE NOTICE:

The consultant is responsible for the actual installation and mounting of the product. The mentioned values with respect to temperatures are not appropriate to be used to determine the physical properties. These properties are also dependent on humidity and the temperature of the air inside and outside of the H.V.A.C. system.

TRADEMARKS:

SEMIDEC, The DEC logo and DEC International are trademarks, or registered trademarks of Dutch Environment Corporation BV in the Netherlands and/or other countries.

RESTRICTIONS:

The SEMIDEC ducts are not suitable for discharging combustion products from open fireplaces and oil-fired boilers. Neither are the ducts suitable for transporting air with a high concentration of acid and base.





QUADRODEC GALVANIZED ACCESSORIES

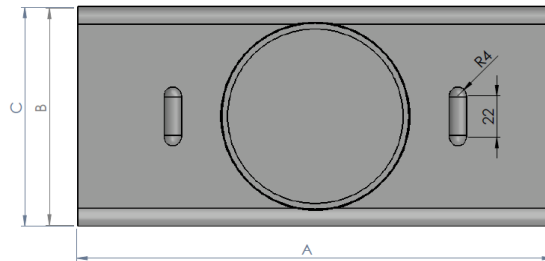
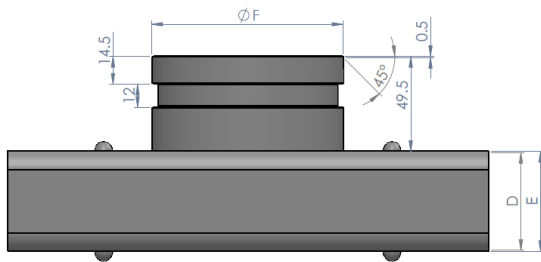
SEMI FLEXIBLE CORRUGATED DUCTING

Accessories

Material is zinc coated (hot-dip) - Zinc amount 100 gr/m²
Chrome free - Not oiled - Material thickness 0.5mm (tolerance ± 0.05mm)

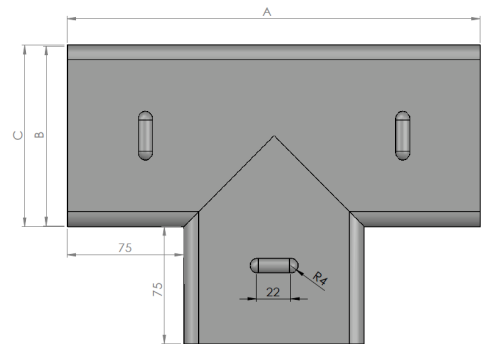
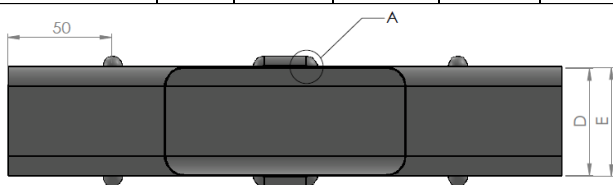
T-Piece to Round Male

Article code	A	B (ID)	C (OD)	D (ID)	E (OD)	F
	mm	mm	mm	mm	mm	mm
DRP-MT110x54-RM100	250	115	116	51	52	99.3
DRP-MT140x54-RM125	275	145	146	51	52	124.3
DRP-MT180x54-RM150	300	185	186	51	52	149.3
DRP-MT195x54-RM160	310	200	201	51	52	159.3
DRP-MT200x80-RM180	330	197	198	77	78	179.3
DRP-MT235x80-RM200	350	232	233	77	78	199.3



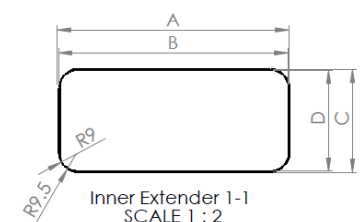
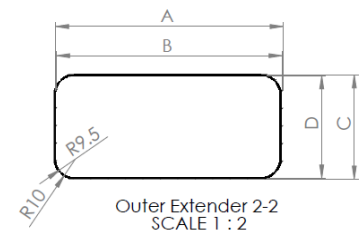
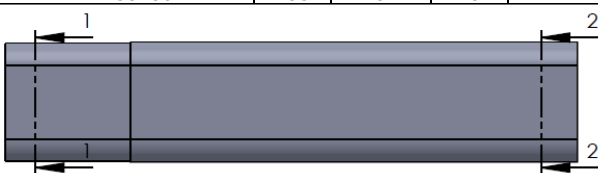
T-Piece Male

Article code	A	B (ID)	C (OD)	D (ID)	E (OD)
	mm	mm	mm	mm	mm
DRP-MT110x54	266	115	116	51	52
DRP-MT140x54	296	145	146	51	52
DRP-MT180x54	336	185	186	51	52
DRP-MT195x54	351	200	201	51	52
DRP-MT200x80	348	197	198	77	78
DRP-MT235x80	383	232	233	77	78



Wall Extender

Article code	Inner Part Extender				Outer Part Extender			
	A	B (ID)	C	D (ID)	A	B (ID)	C	D (ID)
	mm	mm	mm	mm	mm	mm	mm	mm
DRP-MWE110x54	116	115	52	51	117	116	53	52
DRP-MWE140x54	146	145	52	51	147	146	53	52
DRP-MWE180x54	186	185	52	51	187	186	53	52
DRP-MWE195x54	201	200	52	51	202	201	53	52
DRP-MWE200x80	198	197	78	77	199	198	79	78
DRP-MWE235x80	233	232	78	77	234	233	79	78



LIABILITY:

The information contained in this brochure was current on the publication date. DEC INTERNATIONAL reserves the right to make changes in details at any time without prior notice. In order to avoid misunderstandings, any interested party is advised to contact DEC INTERNATIONAL checking for any changes in materials and/or information after this brochure was published.

PLEASE NOTICE:

The consultant is responsible for the actual installation and mounting of the product. The mentioned values with respect to temperatures are not appropriate to be used to determine the physical properties. These properties are also dependent on humidity and the temperature of the air inside and outside of the H.V.A.C. system.

TRADEMARKS:

SEMIDEC, The DEC logo and DEC International are trademarks, or registered trademarks of Dutch Environment Corporation BV in the Netherlands and/or other countries.

RESTRICTIONS:

The SEMIDEC ducts are not suitable for discharging combustion products from open fireplaces and oil-fired boilers. Neither are the ducts suitable for transporting air with a high concentration of acid and base.





QUADRODEC GALVANIZED ACCESSORIES

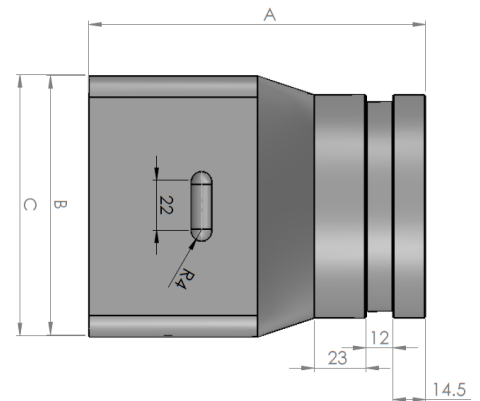
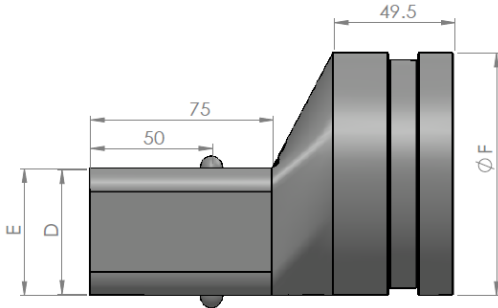
SEMI FLEXIBLE CORRUGATED DUCTING

Accessories

Material is zinc coated (hot-dip) - Zinc amount 100 gr/m²
Chrome free - Not oiled - Material thickness 0.5mm (tolerance ± 0.05mm)

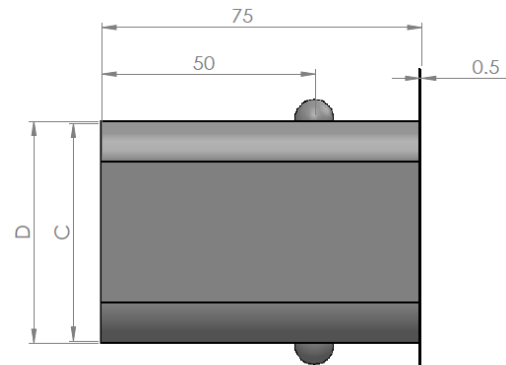
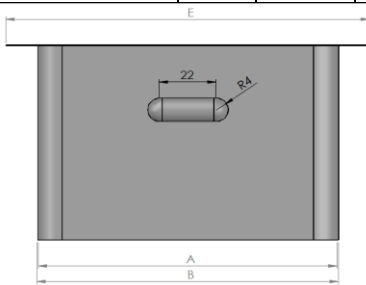
Rectangular to Round Male

Article code	A	B (ID)	C(OD)	D(ID)	E(OD)	F
	mm	mm	mm	mm	mm	mm
DRP-M110x54-RM100	149.5	115	116	51	52	99.3
DRP-M140x54-RM125	164.5	145	146	51	52	124.3
DRP-M180x54-RM150	184.5	185	186	51	52	149.3
DRP-M195x54-RM160	194.5	200	201	51	52	159.3
DRP-M200x80-RM180	214.5	197	198	77	78	179.3
DRP-M235x80-RM200	224.5	232	233	77	78	199.3



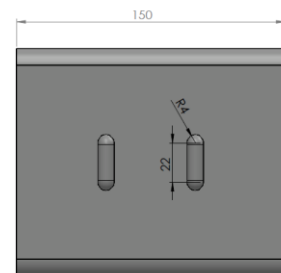
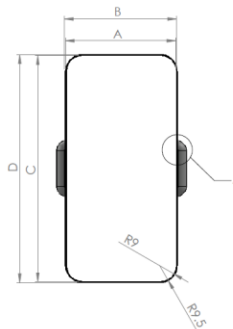
Rectangular Joint Male

Article code	A	B (OD)	C(ID)	D(ID)	E
	mm	mm	mm	mm	mm
DRP-MJ110x54	115	116	51	52	140
DRP-MJ140x54	145	146	51	52	170
DRP-MJ180x54	185	186	51	52	210
DRP-MJ195x54	200	201	51	52	225
DRP-MJ200x80	197	198	77	78	222
DRP-MJ235x80	232	233	77	78	257



Straight Male

Article code	A (ID)	B (OD)	C(ID)	D(OD)
	mm	mm	mm	mm
DRP-MS110x54	51	52	115	116
DRP-MS140x54	51	52	145	146
DRP-MS180x54	51	52	185	186
DRP-MS195x54	51	52	200	201
DRP-MS200x80	77	78	197	198
DRP-MS235x80	77	78	232	233



LIABILITY:

The information contained in this brochure was current on the publication date. DEC INTERNATIONAL reserves the right to make changes in details at any time without prior notice. In order to avoid misunderstandings, any interested party is advised to contact DEC INTERNATIONAL checking for any changes in materials and/or information after this brochure was published.

PLEASE NOTICE:

The consultant is responsible for the actual installation and mounting of the product. The mentioned values with respect to temperatures are not appropriate to be used to determine the physical properties. These properties are also dependent on humidity and the temperature of the air inside and outside of the H.V.A.C. system.

TRADEMARKS:

SEMIDEC, The DEC logo and DEC International are trademarks, or registered trademarks of Dutch Environment Corporation BV in the Netherlands and/or other countries.

RESTRICTIONS:

The SEMIDEC ducts are not suitable for discharging combustion products from open fireplaces and oil-fired boilers. Neither are the ducts suitable for transporting air with a high concentration of acid and base.





QUADRODEC GALVANIZED ACCESSORIES

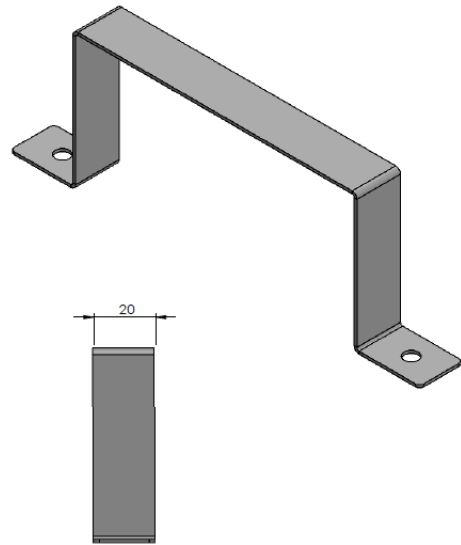
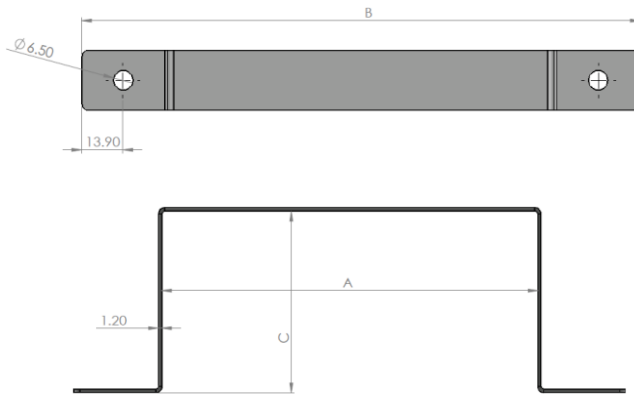
SEMI FLEXIBLE CORRUGATED DUCTING

Accessories

Material is zinc coated (hot-dip) - Zinc amount 100 gr/m²
Chrome free - Not oiled - Material thickness 0.5mm (tolerance ± 0.05mm)

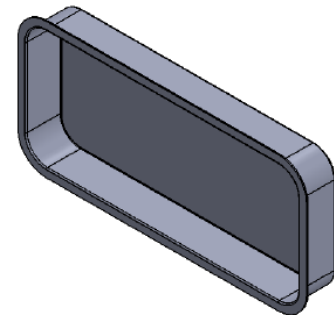
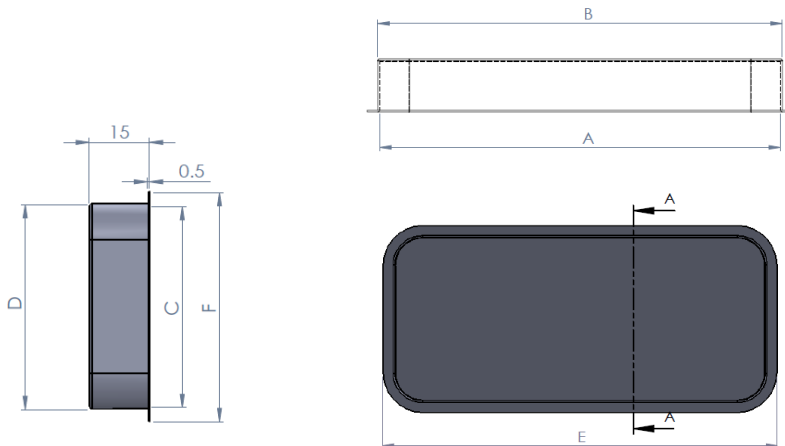
Single bracket

Article code	A mm	B mm	C mm
DRP-B110x54	128	188	62
DRP-B140x54	158	218	62
DRP-B180x54	198	258	62
DRP-B195x54	213	273	62
DRP-B200x80	210	270	88
DRP-B235x80	145	305	88



Lid male

Article code	A mm	B (ID) mm	C (OD) mm	D (ID) mm	E (OD) mm	F mm
DRP-ML110x54	114	115	50	51	121	57
DRP-ML140x54	144	145	50	51	151	57
DRP-ML180x54	184	185	50	51	191	57
DRP-ML195x54	199	200	50	51	206	57
DRP-ML200x80	196	197	76	77	203	83
DRP-ML235x80	231	232	76	77	238	83



SECTION A-A

LIABILITY:

The information contained in this brochure was current on the publication date. DEC INTERNATIONAL reserves the right to make changes in details at any time without prior notice. In order to avoid misunderstandings, any interested party is advised to contact DEC INTERNATIONAL checking for any changes in materials and/or information after this brochure was published.

PLEASE NOTICE:

The consultant is responsible for the actual installation and mounting of the product. The mentioned values with respect to temperatures are not appropriate to be used to determine the physical properties. These properties are also dependent on humidity and the temperature of the air inside and outside of the H.V.A.C. system.

TRADEMARKS:

SEMIDEC, The DEC logo and DEC International are trademarks, or registered trademarks of Dutch Environment Corporation BV in the Netherlands and/or other countries.

RESTRICTIONS:

The SEMIDEC ducts are not suitable for discharging combustion products from open fireplaces and oil-fired boilers. Neither are the ducts suitable for transporting air with a high concentration of acid and base.

