



DVSQ EXHAUST AIR VALVE

AIR MANAGEMENT SYSTEMS

PRODUCT PROPERTIES

Powder coated square valve

DVSQ is an exhaust valve suitable for houses, offices etc.

- Good adjusting features
- Low noise level
- Quick and easy to install
- Airflow easy to measure

CONSTRUCTION

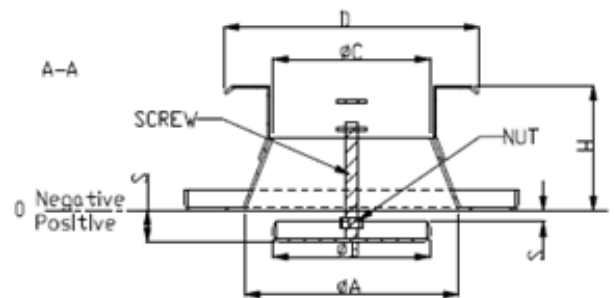
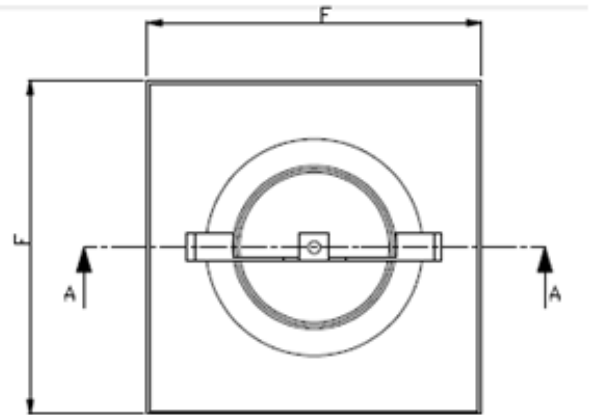
The **DVSQ** is manufactured from steel sheet, powder coated. Standard color white (RAL 9010).

The valve body has a gasket, made of cellular plastic and the control disc, with screw spindle, enables easy regulation and positional locking.

The valve is closed when the valve actuating element is placed on -22 mm from the zero-plane, while it is totally opened when the valve actuating element is placed on 20 mm from the zero-plane. The graphic shows the dependence of flow rate, noise intensity and total pressure drop across the valve type **DVSQ100 and 125**

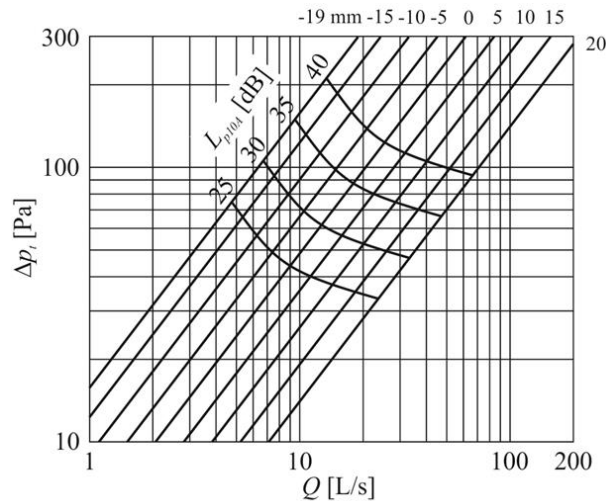
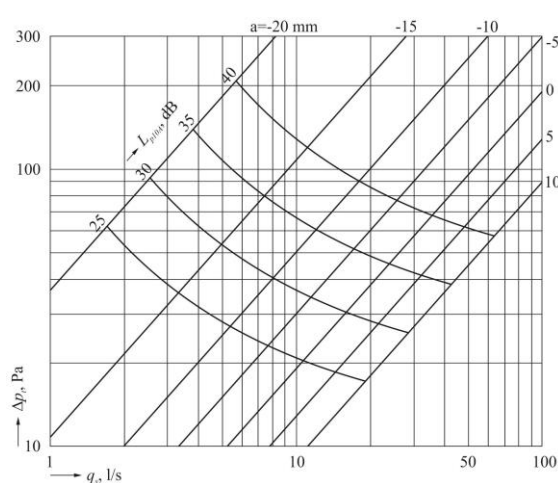
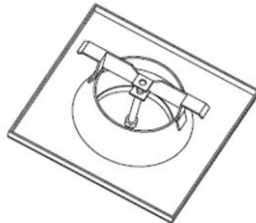
REGULATION AND MEASUREMENTS

Regulation of airflow is achieved by turning the control disc to change adjustment dimension s (mm). The measurement of airflow is made by a pressure difference measurement with a separate measuring tube.



	DVSQ100	DVSQ125
ØA	100	125
ØB	77	103
ØC	72	99
D	120	154
E	160	190
F	160	190
H	60	65
S	+ / -	+ / -

Body height 1cm



LIABILITY:

The information contained in this brochure was current on the publication date. DEC INTERNATIONAL reserves the right to make changes in details at any time without prior notice. In order to avoid misunderstandings, any interested party is advised to contact DEC INTERNATIONAL checking for any changes in materials and/or information after this brochure was published.

PLEASE NOTICE:

The consultant is responsible for the actual installation and mounting of the product. The mentioned values with respect to temperatures are not appropriate to be used to determine the physical properties. These properties are also dependent on humidity and the temperature of the air inside and outside of the H.V.A.C. system.

TRADEMARKS:

DEC International and the DEC logo are trademarks, or registered trademarks of Dutch Environment Corporation BV in the Netherlands and/or other countries.

