



DQD-P SUPPLY AIR DIFFUSER

AIR MANAGEMENT SYSTEMS

PRODUCT PROPERTIES

DQD-P is a very quiet supply air diffuser which is suitable for air distribution in offices, houses and rooms where wall mounting is required. It can be mounted on wall and also close to the ceiling. The DQD-P has a removable front plate for easy cleaning, measuring and adjustment of air flow.

Product facts

- Low noise level
- Can be mounted close to the ceiling
- Removable front plate for easy cleaning, measuring and adjustment of air flow

Installation

DQD-P is mounted straight to the duct without mounting ring. Fastening is secured with screws to the wall or with pop rivets to the duct. Front plate is fastened to the body with Magnet strips.

Measuring and adjustment of the air flow

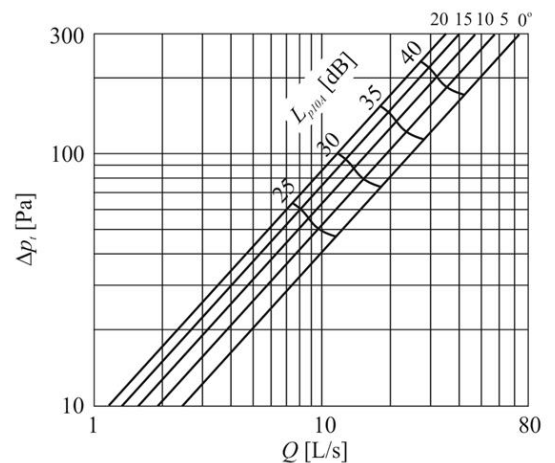
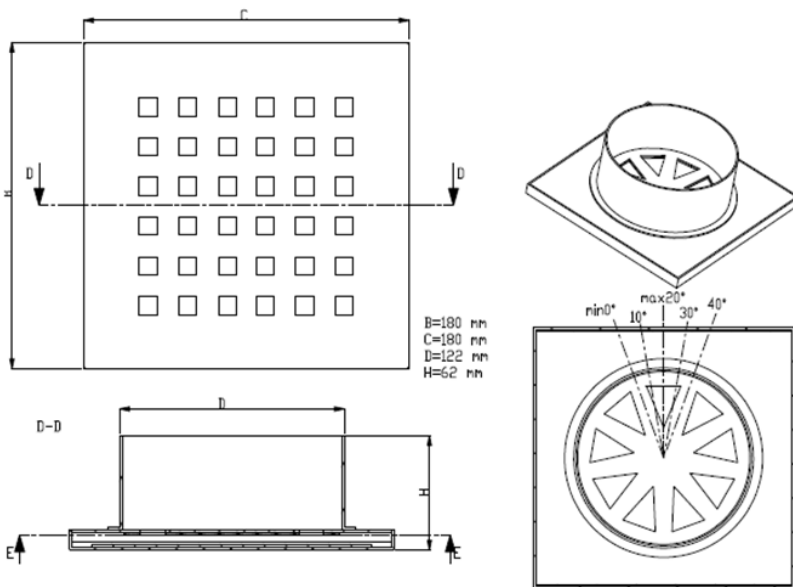
Air flow measurement is made by measuring the pressure difference from the front plate hole. Adjustment of the air volume is obtained by opening and closing the rows of front plate holes.

Material and surface finish

The diffusers are powder-coated, which gives a high surface finish and good impact and scratch resistance. Standard color is white RAL 9010, gloss 70. Other colors are available to special order.

The valve is totally opened when the angle of the valve actuating element is 0° or 40°. Minimum openness appears when the angle of the valve actuating element is 20°. This valve type was tested together with filter that is an integral part of the valve.

The Fig. graphically shows the dependence of flow rate, noise intensity and total pressure drop across the valve type **DQD - P125**



LIABILITY:

The information contained in this brochure was current on the publication date. DEC INTERNATIONAL reserves the right to make changes in details at any time without prior notice. In order to avoid misunderstandings, any interested party is advised to contact DEC INTERNATIONAL checking for any changes in materials and/or information after this brochure was published.

PLEASE NOTICE:

The consultant is responsible for the actual installation and mounting of the product. The mentioned values with respect to temperatures are not appropriate to be used to determine the physical properties. These properties are also dependent on humidity and the temperature of the air inside and outside of the H.V.A.C. system.

TRADEMARKS:

DEC International and the DEC logo are trademarks, or registered trademarks of Dutch Environment Corporation BV in the Netherlands and/or other countries.

