



DKT MOUNTING RING

AIR MANAGEMENT SYSTEMS

PRODUCT PROPERTIES

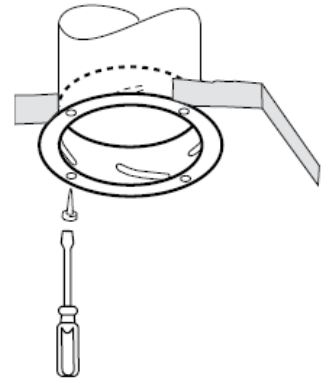
The tight mounting ring **DKT** is designed for use with circular supply and exhaust valves in order to give a complete solution for various mounting options with circular spiral and flexible ducts. The gasket of **DKT** guarantees a tight installation.

CONSTRUCTION

The mounting ring is made of steel sheet. Model **DKT** is supplied with rubber gasket.

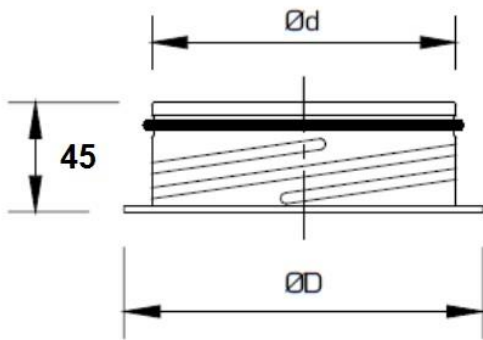
INSTALLATION

DKT is designed for fast and easy mounting both with spiral and flexible ducting. Mounting rings **DKT** is easy to install with rivets or screws into the duct. The gasket of **DKT** guarantees a tight installation of the ring in a circular duct. The ring can be fastened to the surrounding material with screws which go through the openings in the ring flange.
Please use screws to fit the hole.



Dimensions and weights

Nominal size	Ød (mm)	ØD (mm)	Weight (kg)
080	079	102	0.66
100	099	123	0.75
125	124	148	1.02
150	149	175	1.23
160	159	184	1.31
200	199	227	1.65



LIABILITY:

The information contained in this brochure was current on the publication date. DEC INTERNATIONAL reserves the right to make changes in details at any time without prior notice. In order to avoid misunderstandings, any interested party is advised to contact DEC INTERNATIONAL checking for any changes in materials and/or information after this brochure was published.

PLEASE NOTICE:

The consultant is responsible for the actual installation and mounting of the product. The mentioned values with respect to temperatures are not appropriate to be used to determine the physical properties. These properties are also dependent on humidity and the temperature of the air inside and outside of the H.V.A.C. system.

TRADEMARKS:

DEC International and the DEC logo are trademarks, or registered trademarks of Dutch Environment Corporation BV in the Netherlands and/or other countries.

