



DGEB EXHAUST AIR VALVE

AIR MANAGEMENT SYSTEMS

PRODUCT PROPERTIES

The **DGEB** exhaust valve is suitable for use in mechanical ventilation systems. The valve can be wall mounted or ceiling mounted and its air flow is simple to adjust. The **DGEB** has a low noise level, even if the pressure drop is high, and it has good natural sound attenuation.

- Good adjusting features
- Good natural sound attenuation
- Low noise level, even if the pressure drop is high
- Quick and easy to install
- Airflow easy to measure

Construction

The valve is manufactured from hot galvanized steel sheet. The grille is powder coated for a high surface finish and good impact and scratch resistance. Standard colour White RAL-9010.

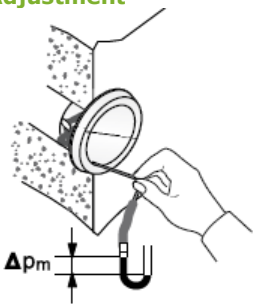
Application

The **DGEB** exhaust valve is suitable for use in all type of air treatment installation. The valve can be wall or ceiling mounted and the air flow is easy to adjust. **DGEB** has a low noise level, even if the pressure drop is high, and it has good natural sound attenuation. The valve has accessories adapted to different kinds of installations

Quick Selection

Size	Connection alternative	Air flow range l/s(m ³ /h) at sound level		
		25 dB	20 dB	35 dB
DGEB100	T-piece	16	19 (68)	23
	Mounting ring	20	24 (86)	27
	Angle duct	14	16 (58)	19
DGEB125	T-piece	22	25 (90)	28
	Mounting ring	29	34 (122)	38
	Angle duct	16	20 (72)	23

Adjustment

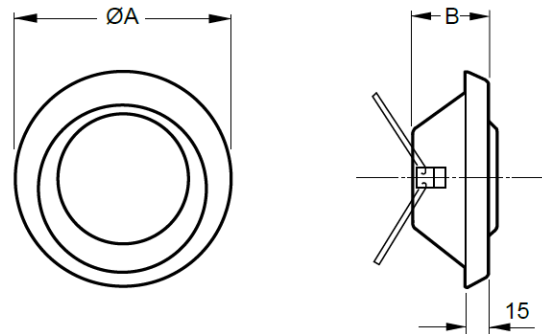


$$q = k \sqrt{\Delta p_m}$$

(l/s) (Pa)

100	B	-11	-9	-6	0	+6	+9
	K-factor	0.39	0.56	0.82	1.36	1.9	2.2
125	B	-22	-18	-12	-6	0	+6
	K-factor	0.88	1.3	1.8	2.4	2.9	3.4

DIMENSIONS in mm



DGEB	Ø 100	Ø 125
A mm	130	155
B mm	45	56
Weight kg	0.3	0.4

Sound power level

Size	Correction of sound level (dB) at (Hz)							
	63	125	250	500	1k	2k	4k	8k
DGEB100	10	6	5	1	-2	-4	-7	-12
DGEB125	17	2	3	-1	-1	-4	-8	-12

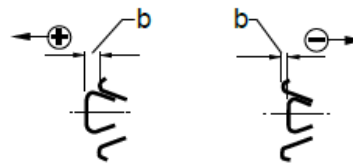
Sound attenuation

DGEB100

Connection Fitt.	Sound attenuation in dB at (Hz)							
	63	125	250	500	1k	2k	4k	8k
DGEZ10	25	22	21	20	14	18	9	10
DGEZ 05-10	25	22	21	20	14	18	9	10

DGEB125

Connection Fitt.	Sound attenuation in dB at (Hz)							
	63	125	250	500	1k	2k	4k	8k
DGEZ12	24	20	17	15	11	12	7	7



LIABILITY:

The information contained in this brochure was current on the publication date. DEC INTERNATIONAL reserves the right to make changes in details at any time without prior notice. In order to avoid misunderstandings, any interested party is advised to contact DEC INTERNATIONAL checking for any changes in materials and/or information after this brochure was published.

PLEASE NOTICE:

The consultant is responsible for the actual installation and mounting of the product. The mentioned values with respect to temperatures are not appropriate to be used to determine the physical properties. These properties are also dependent on humidity and the temperature of the air inside and outside of the H.V.A.C. system.

TRADEMARKS:

DEC International and the DEC logo are trademarks, or registered trademarks of Dutch Environment Corporation BV in the Netherlands and/or other countries.



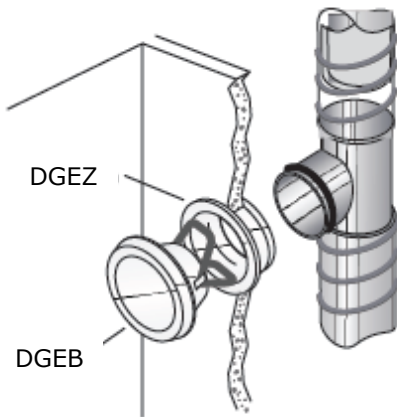


DGEB EXHAUST AIR VALVE

AIR MANAGEMENT SYSTEMS

INSTALLATION

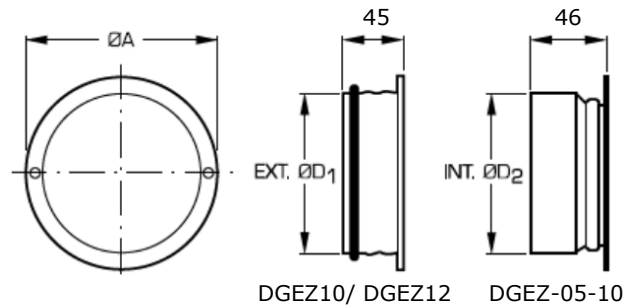
Valve **DGEB** connected to a mounting ring



Mounting ring DGEZ10 (100mm) + DGEZ12 (125mm),
insertion connection (male)

Mounting ring DGEZ-05-10, fit-on connection (female)

Size	A (mm)	D1 (mm)	D2 (mm)	Hole Ø (mm)	W (kg)
100	125	99.3	100	110	0.1
125	150	124.3	-	135	0.1



LIABILITY:

The information contained in this brochure was current on the publication date. DEC INTERNATIONAL reserves the right to make changes in details at any time without prior notice. In order to avoid misunderstandings, any interested party is advised to contact DEC INTERNATIONAL checking for any changes in materials and/or information after this brochure was published.

PLEASE NOTICE:

The consultant is responsible for the actual installation and mounting of the product. The mentioned values with respect to temperatures are not appropriate to be used to determine the physical properties. These properties are also dependent on humidity and the temperature of the air inside and outside of the H.V.A.C. system.

TRADEMARKS:

DEC International and the DEC logo are trademarks, or registered trademarks of Dutch Environment Corporation BV in the Netherlands and/or other countries.



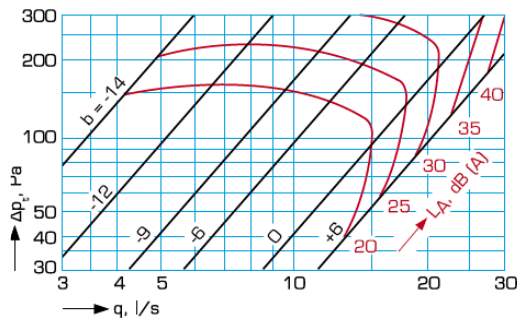


DGEB EXHAUST AIR VALVE

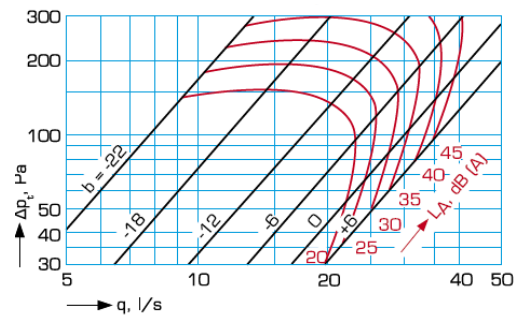
AIR MANAGEMENT SYSTEMS

Air flow, pressure drop, sound level

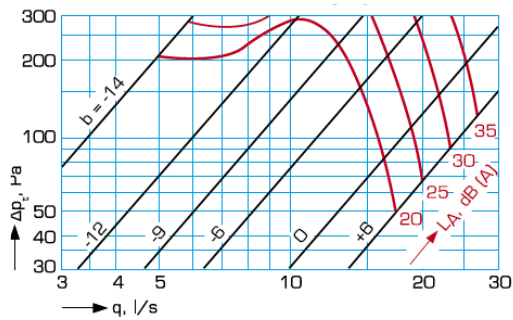
Size 100 with T-Piece



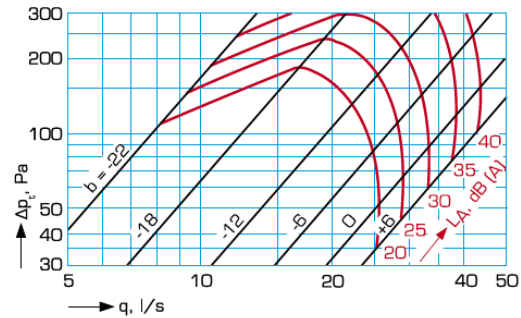
Size 125 with T-Piece



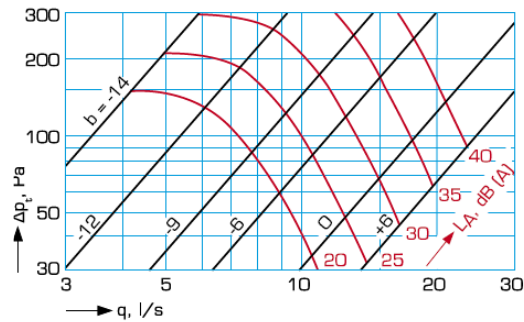
Size 100 with mounting ring



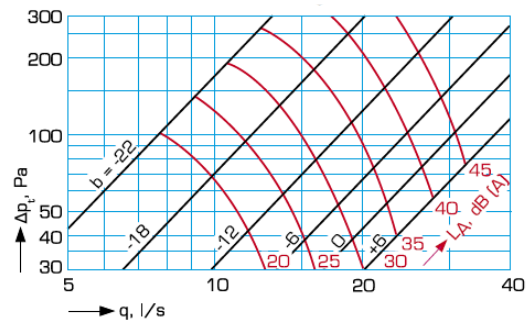
Size 125 with mounting ring



Size 100 with angle duct



Size 125 with angle duct



LIABILITY:

The information contained in this brochure was current on the publication date. DEC INTERNATIONAL reserves the right to make changes in details at any time without prior notice. In order to avoid misunderstandings, any interested party is advised to contact DEC INTERNATIONAL checking for any changes in materials and/or information after this brochure was published.

PLEASE NOTICE:

The consultant is responsible for the actual installation and mounting of the product. The mentioned values with respect to temperatures are not appropriate to be used to determine the physical properties. These properties are also dependent on humidity and the temperature of the air inside and outside of the H.V.A.C. system.

TRADEMARKS:

DEC International and the DEC logo are trademarks, or registered trademarks of Dutch Environment Corporation BV in the Netherlands and/or other countries.

