



CE-FLEX LAMINATED DUCTING

CE-FLEX ducts are flexible, strong laminate ducts for various purposes. The ducts consist of several layers of aluminium and polyester, with a high tensile steel spiral helix enclosed between the layers. The duct can be attached to round and oval connection parts without any problems. The fire resistance of the **CE-FLEX** ducts has been tested in several countries, according to current international standards. Because of the "sandwich construction", the different layers of polyester and aluminium are overlapping each other completely. In case of fire, the system is able to function longer.

APPLICATION

- Air supply systems, where a higher temperature resistance is required
- Air conditioning systems, where a higher temperature resistance is required

SPECIFICATIONS

Article code:	DACEM0{Ø}
Temperature range:	-30 °C to 250 °C
Operating pressure:	up to +2500 Pa
Operating air velocity:	max. 30 m/s
Bending radius:	min. 0.54 x Ø
Standard diameter range:	082 – 406 mm
Standard length:	10 mtr

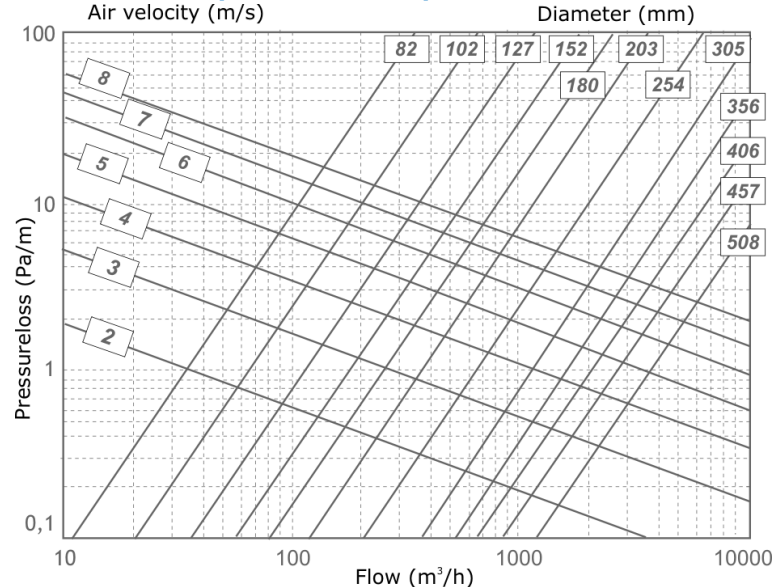
CONSTRUCTION

Total layers:	4
of aluminium:	3 à 15 microns
of polyester:	1 à 6 microns
Total thickness:	51 microns (excl. adhesive)
Wire spacing:	36mm
Appearance:	Aluminium

CLASSIFICATIONS

EU (EN 13501-1):	A2-s1,d0
FR (NF):	M0
CH (BKZ):	RF1

PRESSURE LOSS (STRAIGHT DUCT)



The **CE-FLEX** fulfills all the requirements and are classified as specified within EN 13180:
Ventilation for buildings – Ductwork - Dimensions and mechanical requirements for flexible ducts.

Determination of the acute toxicity:

Stated by the "Institut für Arbeitsmedizin" of the medical faculty of the technical university of Aken.
Under the supervision of prof. dr. med. H.J. Einbrodt (specialist) classified as "non toxic".

Reach/RoHs Compliant

Directive 2011/65/EU RoHS

Phthalates according to 1907/2006/EC REACH

Test result: Pass - The test items meets the requirements of the test specification



LIABILITY:

The information contained in this brochure was current on the publication date. DEC INTERNATIONAL reserves the right to make changes in details at any time without prior notice. In order to avoid misunderstandings, any interested party is advised to contact DEC INTERNATIONAL checking for any changes in materials and/or information after this brochure was published.

PLEASE NOTICE:

The consultant is responsible for the actual installation and mounting of the product. The mentioned values with respect to temperatures are not appropriate to be used to determine the physical properties. These properties are also dependent on humidity and the temperature of the air inside and outside of the H.V.A.C. system.

TRADEMARKS:

CEFLEX, the DEC logo and DEC International are trademarks, or registered trademarks of Dutch Environment Corporation BV in the Netherlands and/or other countries.

RESTRICTIONS:

The CEFLEX ducts are not suitable for discharging combustion products from open fireplaces and oil-fired boilers. Neither are the ducts suitable for transporting air with a high concentration of acid and base.

