



ALUDEC 245

LAMINATED DUCTING

ALUDEC 245 ducts are flexible, strong laminate ducts for various purposes. The ducts consist of several layers of aluminium and polyester, with a high tensile steel spiral helix enclosed between the layers. The duct can be attached to round and oval connection parts without any problems. The fire resistance of the **ALUDEC 245** ducts has been tested in several countries, according to current international standards. Because of the "sandwich construction", the different layers of polyester and aluminium are overlapping each other completely. In case of fire, the system is able to function longer.

APPLICATION

- General air supply systems, without special demands
- Air conditioning systems, without special demands


SPECIFICATIONS

Article code:	DA245{Ø}
Temperature range:	-30 °C to 140 °C
Operating pressure:	up to +2500 Pa
Operating air velocity:	max. 30 m/s
Bending radius:	min. 0.58 x Ø
Standard diameter range:	082 – 508 mm
Standard length:	10 mtr

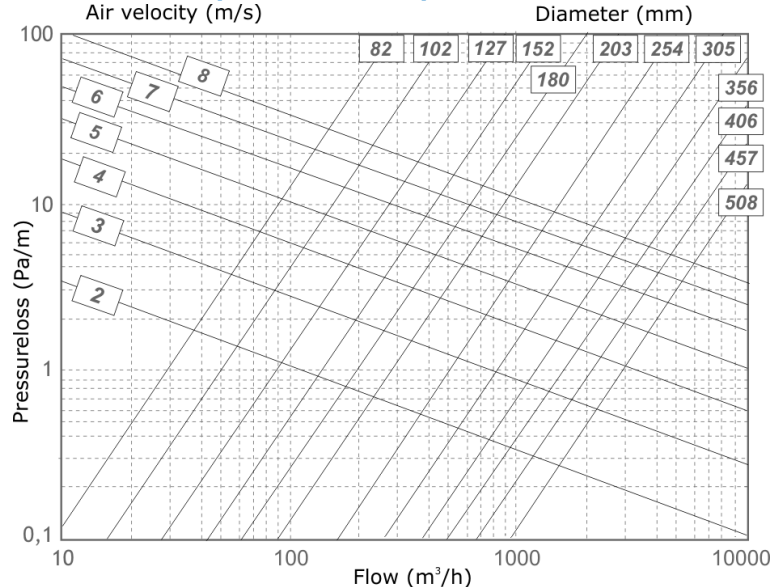
CONSTRUCTION

Total layers:	5
of aluminium:	3 à 7 microns
of polyester:	2 à 12 microns
Total thickness:	45 microns (excl. adhesive)
Wire spacing:	18mm
Appearance:	Aluminium

CLASSIFICATIONS

EU (EN 13501-1):	B-s1,d0
UK (BS476):	Part 6, 7 and 20
FR (NF):	M1
Marine certified MED	

PRESSURE LOSS (STRAIGHT DUCT)



The **ALUDEC 245** fulfills all the requirements and are classified as specified within EN 13180:
Ventilation for buildings – Ductwork - Dimensions and mechanical requirements for flexible ducts.

Determination of the acute toxicity:

Stated by the "Institut für Arbeitsmedizin" of the medical faculty of the technical university of Aken.
Under the supervision of prof. dr. med. H.J. Einbrodt (specialist) classified as "non toxic".

Reach/RoHs Compliant

Directive 2011/65/EU RoHS
Phthalates according to 1907/2006/EC REACH
Test result: Pass - The test items meets the requirements of the test specification



LIABILITY:

The information contained in this brochure was current on the publication date. DEC INTERNATIONAL reserves the right to make changes in details at any time without prior notice. In order to avoid misunderstandings, any interested party is advised to contact DEC INTERNATIONAL checking for any changes in materials and/or information after this brochure was published.

PLEASE NOTICE:

The consultant is responsible for the actual installation and mounting of the product. The mentioned values with respect to temperatures are not appropriate to be used to determine the physical properties. These properties are also dependent on humidity and the temperature of the air inside and outside of the H.V.A.C. system.

TRADEMARKS:

ALUDEC, the DEC logo and DEC International are trademarks, or registered trademarks of Dutch Environment Corporation BV in the Netherlands and/or other countries.

RESTRICTIONS:

The ALUDEC ducts are not suitable for discharging combustion products from open fireplaces and oil-fired boilers. Neither are the ALUDEC ducts suitable for transporting air with a high concentration of acid and base.

