

AB MOUNTING RING

AIR MANAGEMENT SYSTEMS

PRODUCT PROPERTIES

The tight mounting ring **AB** is designed for use with circular exhaust/supply valves with spring connection in order to give a complete solution for various mounting options with circular spiral and flexible ducts.

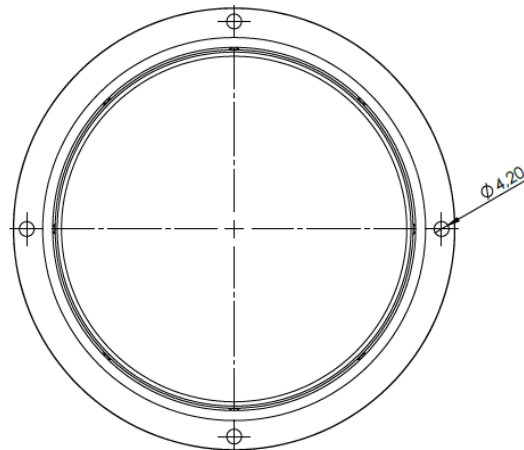
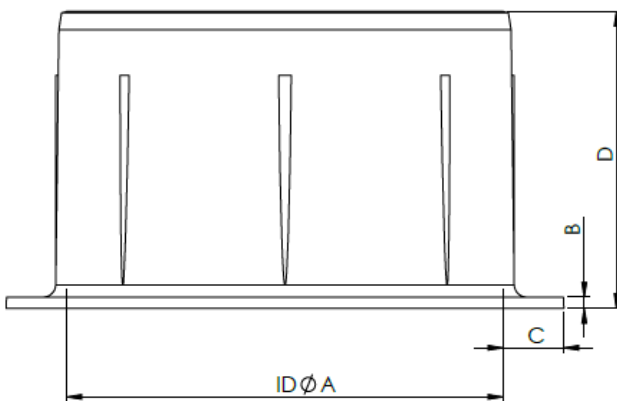
CONSTRUCTION

The mounting ring is made of polypropylene plastic which is recyclable and withstands temperatures up to 110 °C. The materials used are also resistant to most chemicals in small concentrations. The device is supplied in white as standard (RAL9010).

INSTALLATION

The mounting ring **AB** is designed for fast and easy mounting both with spiral and flexible ducting. Mounting rings **AB** is easy to install with rivets or screws into the duct. The ring can be fastened to the surrounding material with screws which go through the openings in the ring flange. **Please use screws to fit the hole.**

Size	IDØA	B	C	D
AB100	97.6	2.5	13.6	66.4
AB125	122.8	2.9	14.3	66.7
AB150	143.8	2.8	15.6	67.4
AB200	195.6	3.2	14.5	67.6



LIABILITY:

The information contained in this brochure was current on the publication date. DEC INTERNATIONAL reserves the right to make changes in details at any time without prior notice. In order to avoid misunderstandings, any interested party is advised to contact DEC INTERNATIONAL checking for any changes in materials and/or information after this brochure was published.

PLEASE NOTICE:

The consultant is responsible for the actual installation and mounting of the product. The mentioned values with respect to temperatures are not appropriate to be used to determine the physical properties. These properties are also dependent on humidity and the temperature of the air inside and outside of the H.V.A.C. system.

TRADEMARKS:

DEC International and the DEC logo are trademarks, or registered trademarks of Dutch Environment Corporation BV in the Netherlands and/or other countries.

