



DUCT CROSS

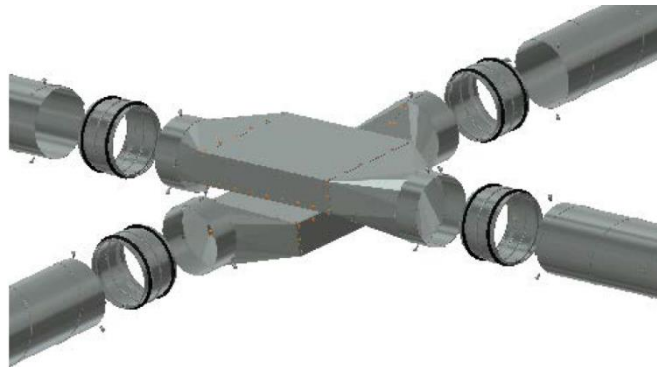
AIR MANAGEMENT SYSTEMS

DUCT CROSS

Product Description

The duct crosses can be used separately to get past narrow points on the pipe laying or combined where pipes cross each other where is not enough building height to place two pipes in height.

The duct crossings are made of 0,7mm galvanized steel (275 zinc). Duct connection in design without gaskets. Seams are coated at the inside to minimize the leakage! The connection fits our Quadrodec range with EPDM gaskets.

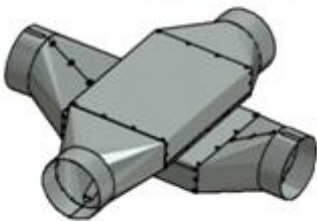


Connecting Duct Parts

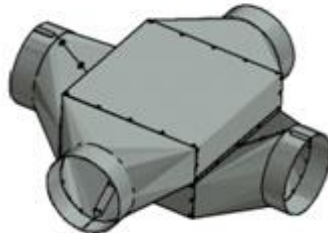
All joints between our Quadrodec channels, T-pieces, bends, reductions etc. are "locked" using special tape or at least 3 pieces self-drilling screws per extension. In case a connector is used without EPDM gasket use ASB/PSB tape.

Different cross combinations are possible: Ø160 / Ø160, Ø 125/ Ø 160 or Ø125 / Ø125.

125+125



160+160



Article code:

DDC125S - DUCT CROSS Ø125 - Ø125

DDC160S - DUCT CROSS Ø160 - Ø160

LIABILITY:

The information contained in this brochure was current on the publication date. DEC INTERNATIONAL reserves the right to make changes in details at any time without prior notice. In order to avoid misunderstandings, any interested party is advised to contact DEC INTERNATIONAL checking for any changes in materials and/or information after this brochure was published.

PLEASE NOTICE:

The consultant is responsible for the actual installation and mounting of the product. The mentioned values with respect to temperatures are not appropriate to be used to determine the physical properties. These properties are also dependent on humidity and the temperature of the air inside and outside of the H.V.A.C. system.

TRADEMARKS:

DEC International and the DEC logo are trademarks, or registered trademarks of Dutch Environment Corporation BV in the Netherlands and/or other countries.

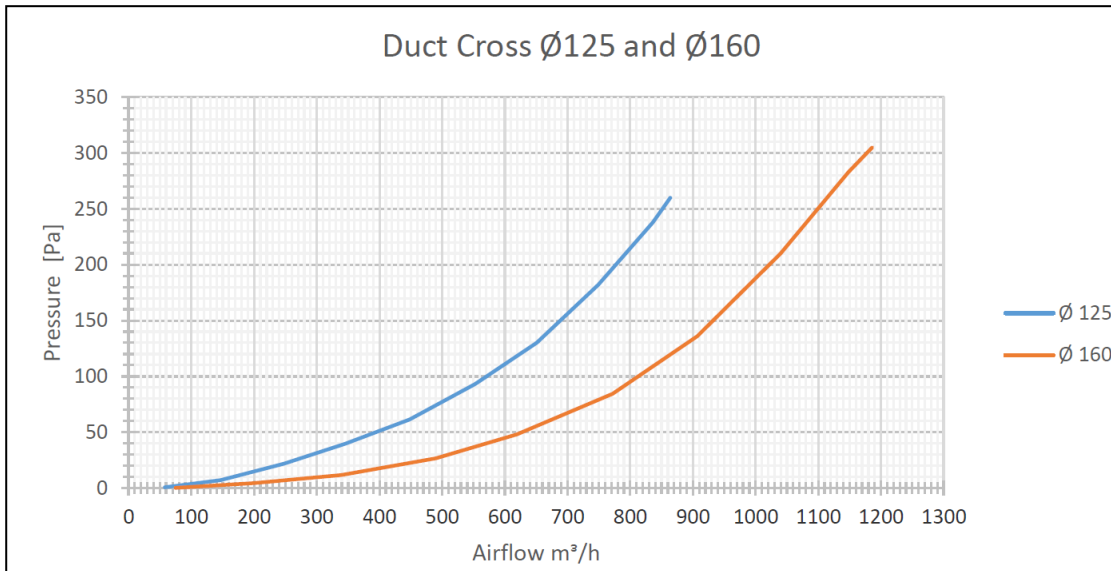




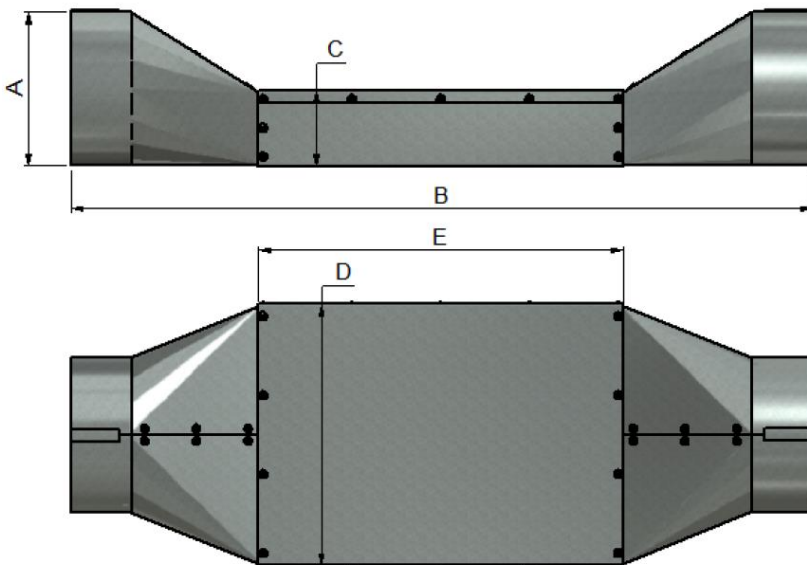
DUCT CROSS

AIR MANAGEMENT SYSTEMS

pressure drop across the duct cross



Dimensions in mm



A (mm)	B (mm)	C (mm)	D (mm)	E (mm)
$\varnothing 125$ S	530	63	216	250
$\varnothing 160$ S	530	81	251	250

Connections and tolerances according EN1506
Leakage Class C

LIABILITY:

The information contained in this brochure was current on the publication date. DEC INTERNATIONAL reserves the right to make changes in details at any time without prior notice. In order to avoid misunderstandings, any interested party is advised to contact DEC INTERNATIONAL checking for any changes in materials and/or information after this brochure was published.

PLEASE NOTICE:

The consultant is responsible for the actual installation and mounting of the product. The mentioned values with respect to temperatures are not appropriate to be used to determine the physical properties. These properties are also dependent on humidity and the temperature of the air inside and outside of the H.V.A.C. system.

TRADEMARKS:

DEC International and the DEC logo are trademarks, or registered trademarks of Dutch Environment Corporation BV in the Netherlands and/or other countries.

